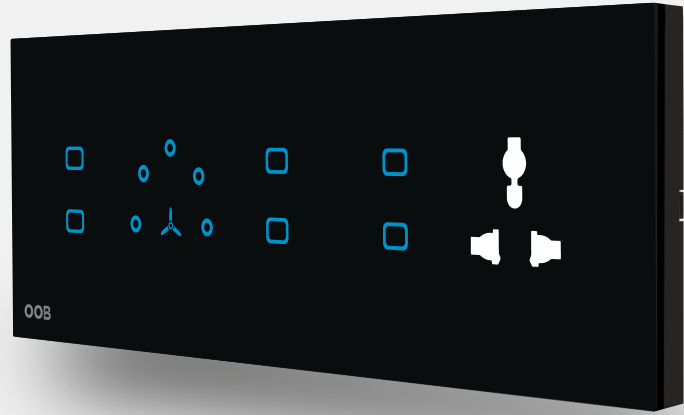




SMARTHOME  
Touch The Future TODAY

# SAPPHIRE

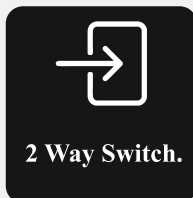
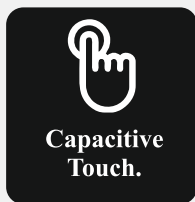
Frameless Touch Series



## SMART WIFI CONTROL SWITCH

**Sapphire series** is a Water Proof & Fire Retardant glass panel programmed with capacitive touch technology that will replace your existing switchboards and give you smart functionalities to operate from anywhere - anytime. Your ordinary and simple switchboards will turn extraordinary & smart in looks & operation.

## SAPPHIRE SERIES FEATURES



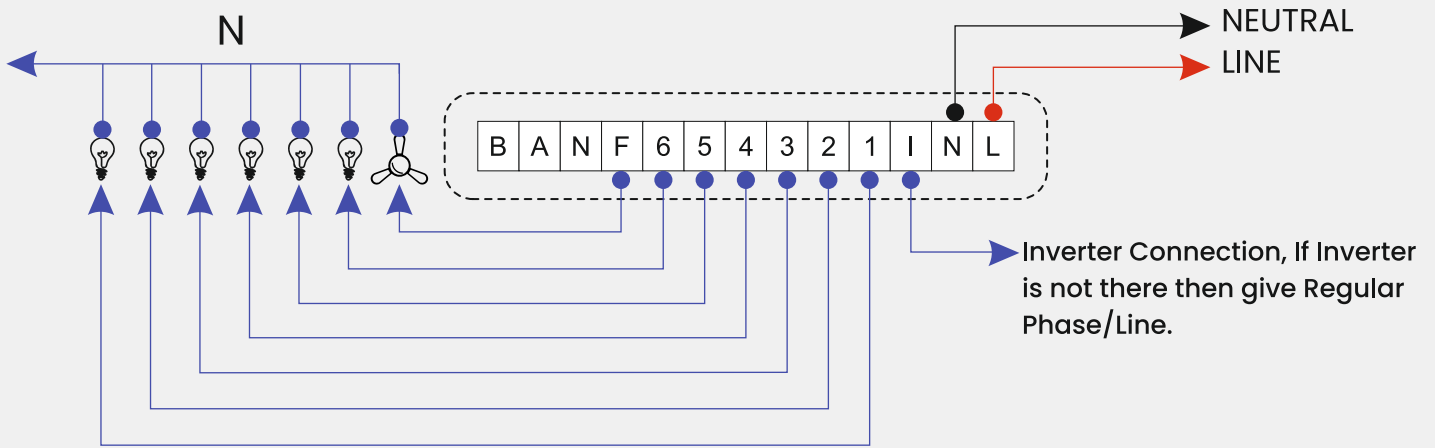
## SPECIFICATIONS :

- Supply voltage 110-240 volts AC / Frequency 50/60 Hz.
- Load - Light - Max 100 - 450 Watts (Max Number of 4 LED lights / Switch).
- For Dimmer Load - Max 250 Watts (Max Number of 2 LED lights / Switch).
- For HLM Module Load - Max 2500-3000 Watts.
- Fan - Max 100 Watts (5 Steps).
- IR Based Powerful Remote Control.
- Remote Control Working Range upto 15 Ft.



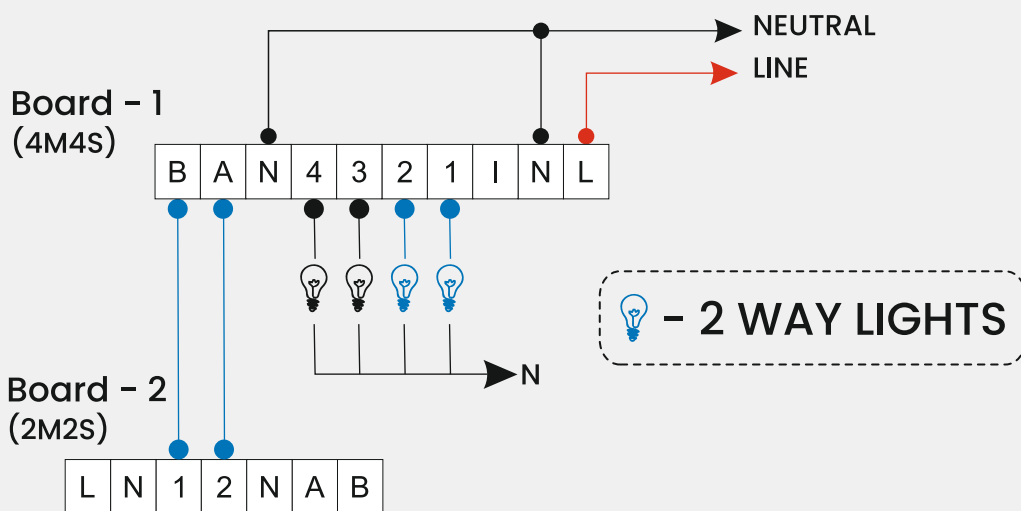
# General Wiring Diagram

- Resistive Load : 450W/switch, Capacitive Load : 200W/switch, Inductive Load : 100W/switch, Fan Regulator : 100W(5Steps).



# 2 Way Wiring Diagram

- There are **2 nos.** of Two way Switches in this Model, Connect two way pair as Shown Below.



## INSTRUCTION

**INSTRUCTION**  
If you don't use inverter then connect link between "L" & "I"